



750 Garcia Ave, Pittsburg
CA 94565
+1.925.427.7800
HSIheadwalls.com

Eclipse™ Horizontal Equipment Management System

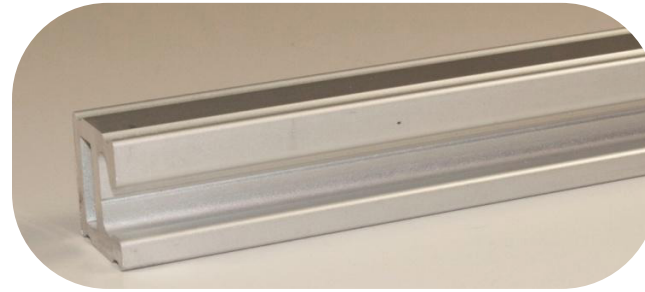


Eclipse™ Horizontal Equipment Rail

#050453

Eclipse™ Rails accept both Clamp-On and Rapid Mount Brackets.

Please specify length at time of order
050453-XX
xx= length
Example 050453-24 is a 24" long rail



'F' Type Eclipse™ Horizontal Equipment Rail

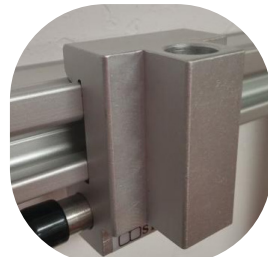
#050469

'F' Type Eclipse™ Rails accept Clamp-On Brackets. Laminate Insert is Satin Oxide. Standard, Premium or Wood Grain laminates are available but may incur additional cost.

Please specify length at time of order
050469-XX
xx= length
Example 050469-48 is a 48" long rail



Clamp-On Bracket
178209



Adaptor Bracket
178210



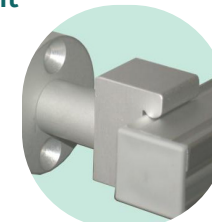
Rapid Mount Bracket
211744



Low Profile (1-5/8") Wall Mount
048301



Unimount Rail Mount
178210



High Profile (4-3/4") Wall Mount
048300

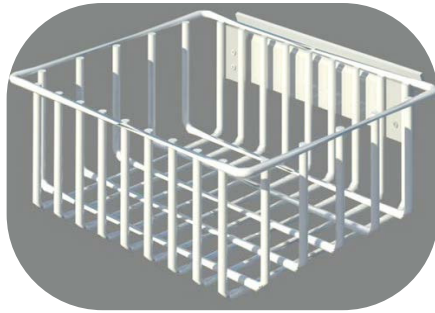


750 Garcia Ave,
Pittsburg
CA 94565
+1.925.427.7800





750 Garcia Ave,
Pittsburg
CA 94565
+1.925.427.7800



Utility Basket 16" x 5" x 4"
#611154

Utility Basket 16" x 8" x 4"
#611184

Utility Basket 16" x 8" x 7"
#611187



Rigid Shelf 12" x 12"
#612112

Rigid Shelf 14" x 12"
#612114

Rigid Shelf 18" x 12"
#612118

Rigid Shelf 24" x 12"
#612124

Utility Basket 10" x 5" x 4"
#611054

Utility Basket 10" x 8" x 4"
#611084

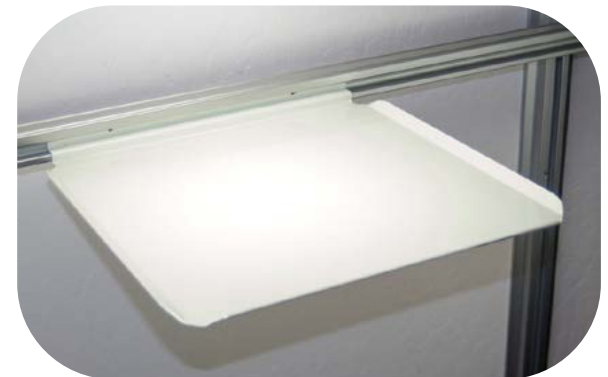
Utility Basket 10" x 8" x 7"
#611087



Utility Basket 20" x 5" x 4"
#611254

Utility Basket 20" x 8" x 4"
#611284

Utility Basket 20" x 8" x 7"
#611287



Utility Basket 10" x 5" x 4"

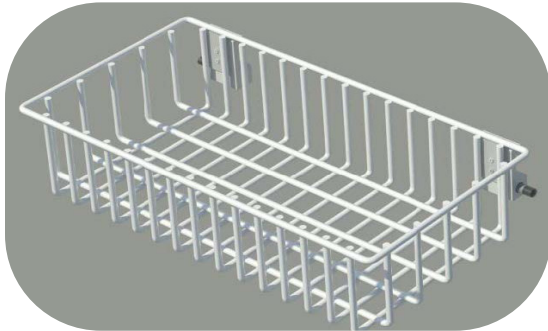
#601054

Utility Basket 10" x 8" x 4"

#601084

Utility Basket 10" x 8" x 7"

#601087



Utility Basket 20" x 5" x 4"

#601254

Utility Basket 20" x 8" x 4"

#601284

Utility Basket 20" x 8" x 7"

#601287



Utility Basket 16" x 5" x 4"

#601154

Utility Basket 16" x 8" x 4"

#601184

Utility Basket 16" x 8" x 7"

#601187



**Sphygmomanometer Basket
Clamp On**

#606104

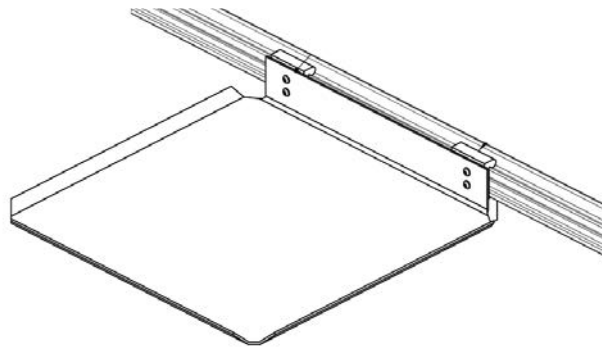


750 Garcia Ave,
Pittsburg
CA 94565
+1.925.427.7800





750 Garcia Ave,
Pittsburg
CA 94565
+1.925.427.7800



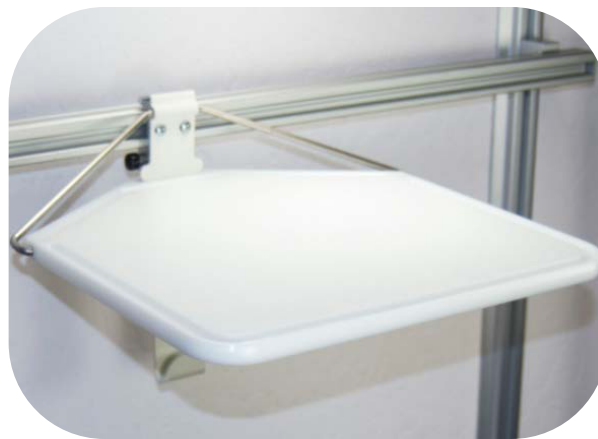
Rigid Shelf 12" x 12"
#602112

Rigid Shelf 14" x 12"
#602114

Rigid Shelf 18" x 12"
#602118

Rigid Shelf 24" x 12"
#602124

Drop Down Shelf 25" x 12"
#602425



Fold Down Shelf 12" x 12"
Plastic Surface
#602712

Pivot Ledge 8" x 6"

#602508



Utility Basket Divider 4" Deep Baskets

#211885-04

Plexiglass Basket Dividers provide organization without sacrificing visibility

Utility Basket Divider 7" Deep Baskets

#211885-07

Plexiglass Basket Dividers provide organization without sacrificing visibility



750 Garcia Ave,
Pittsburg
CA 94565
+1.925.427.7800





750 Garcia Ave,
Pittsburg
CA 94565
+1.925.427.7800



**SharpSmart/ Soap/ Sanitizer Mounting Bracket
Clamp On**
#604102 (shown)
#604200

**Softpull/ Bobrick Paper Towel Dispenser Mount
Clamp On**
#604500



**Single Glove Box Holder
Rapid Mount**
#614000

**Single Glove Box Holder
Clamp On**
#604000

**Double Glove Box Holder
Rapid Mount**

#614001

**Double Glove Box Holder
Clamp On**

#604001



**Waste Basket Holder
Clamp On**

#604601



**Wipes Dispenser Mount
Clamp On**

#604201

For use with Eclipse™ Horizontal
Equipment Rail # 050453
And F Type Eclipse™ Equipment
Rail # 050469



750 Garcia Ave,
Pittsburg
CA 94565
+1.925.427.7800

**Triple Glove Box Holder
Rapid Mount**

#614002

**Triple Glove Box Holder
Clamp On**

#604002





750 Garcia Ave,
Pittsburg
CA 94565
+1.925.427.7800



**Single IV Hook, 18"
Clamp On**
#605201

**Double IV Hook, 28"
Clamp On**
#605202

**IV Pole, 3-Hooks
Clamp On**

#605000 – 12" Pole
#605001 – 24" Pole with 18" extension (shown)



**Infusion Support, 3-Hooks
Clamp On**

#605104 – 30" Pole with 27" extension

**Infusion Support, 4-Hooks
Clamp On**

#605102 - 30" Pole with 27" extension

**Infusion Support, Dual 6-Hooks
Clamp On**

#605105 - 30" Poles with 27" extension

**Infusion Support, Dual 8-Hooks
Clamp On**

#605103 - 30" Poles with 27" extension



**Universal Mounting Bracket
Clamp On**

#606101

Accepts both Sphygmomanometers and Thermometers

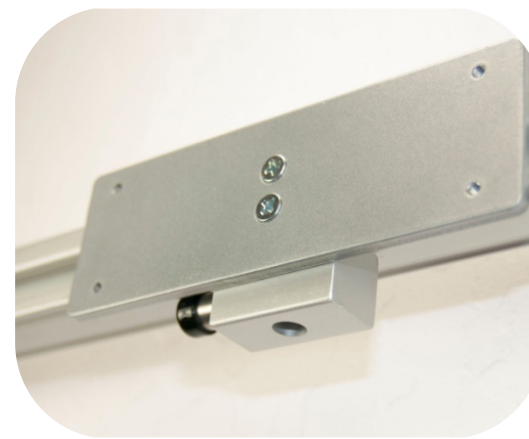


**Sphygmomanometer, Aneroid with
Cuff Basket**

#909730

**Ophthalmoscope Mount, Rigid
Clamp On**

#606200

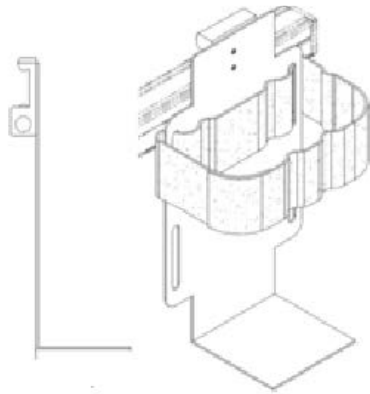


750 Garcia Ave,
Pittsburg
CA 94565
+1.925.427.7800





750 Garcia Ave,
Pittsburg
CA 94565
+1.925.427.7800



**Sharpsmart/ Soap/ Sanitizer Mounting Bracket
Clamp On**

#604102 (shown)
#604200

Mounting plates for use with; Daniels Sharpsmart Sharps Containers



**Universal Sharps Container Holder w/Velcro Strap
Clamp On**
#604101



**Vacuum Bottle Slide
Rapid Mount (shown)**
#613600

**Vacuum Bottle Slide
Clamp On**
#603600

**Blender Bracket
Rapid Mount**

#613601

**Blender Bracket
Clamp On (shown)**

#603601



**Resuscitation/Ambu Bag Holder
Rapid Mount**

#613300

**Resuscitation/Ambu Bag Holder
Clamp On (shown)**

#603300



750 Garcia Ave,
Pittsburg
CA 94565
+1.925.427.7800





750 Garcia Ave,
Pittsburg
CA 94565
+1.925.427.7800



Utility Mounting Posts Clamp On

- #603504 – 4" Post (shown)
- #603505 – 7" Post
- #603506 – 10" Post



Catheter Clip Assembly Rapid Mount

#613400

Catheter Clip Assembly Clamp On

#603400



Cord Wrap Rapid Mount

#613908 (shown)

Cord Wrap Clamp On

#603908

**Hose Clip Assembly
Clamp On**

#603202 - Large
#603201 - Medium (shown)
#603200 - Small



**Utility Hook, 5"
Clamp On**
#603500



**J Hook, Single
Clamp On**
#603503



750 Garcia Ave,
Pittsburg
CA 94565
+1.925.427.7800





750 Garcia Ave,
Pittsburg
CA 94565
+1.925.427.7800



**Patient Information Holder
Rapid Mount**
#613100

**Patient Information Holder
Clamp On**
#603100 (shown)



**Marker Board, Dry Erase
Rapid Mount**
#613904

**Marker Board, Dry Erase
Clamp On**
#603904 (shown)

